

Company

Products

News

Distribution

Service/Downloads

Contact

BRECOFLEX[®] TIMING BELTS

BRECO[®] TIMING BELTS

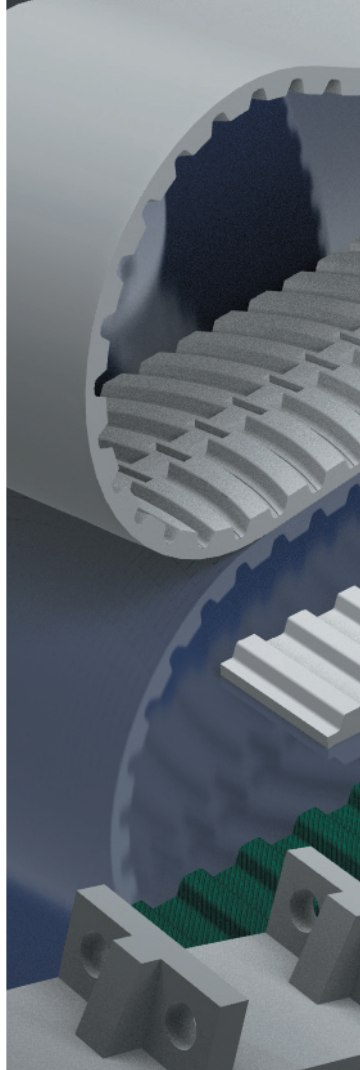
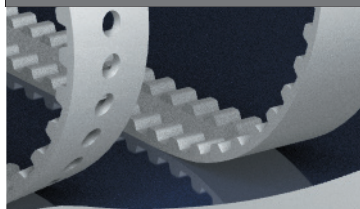
BRECO[®] ATN-System

Timing belts with coatings

Mechanical rework

Welded-on profiles

Components



Product range



Our product range of BRECOFLEX[®]-TIMING BELTS

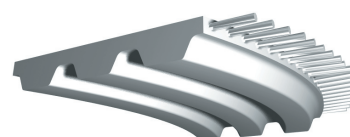
AT-profile

AT3
AT5
AT10
ATS15
AT20



Self-guiding profiles

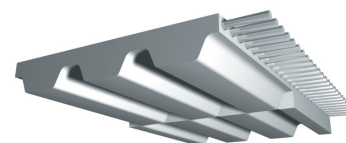
BAT-profile
BAT10
BAT15



BATK-profile
BATK10
BATK15

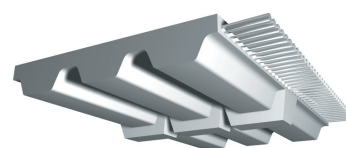


SFAT-profile
SFAT10
SFAT15
SFAT20



Self-tracking timing belts

ATK5K6-E
ATK10K6
TK5K6
TK10K6
TK10K13



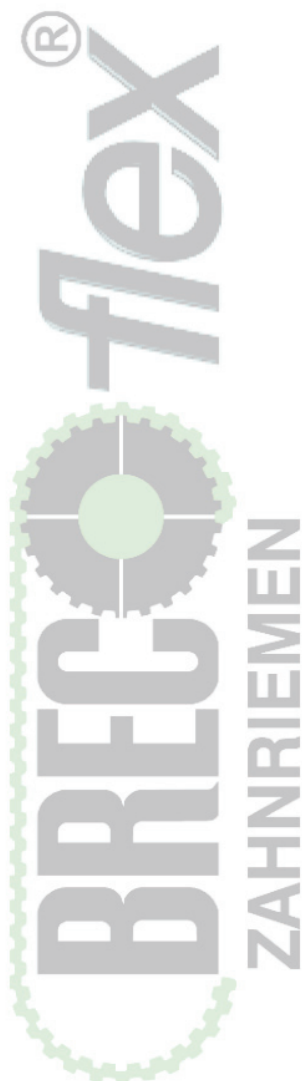
T-profile

Metric pitch

T5
T10
T20

inch-pitch

XL
L
H
XH




BRECOFLEX® TIMING BELTS

BRECOFLEX: The BRECOFLEX® TIMING BELT is manufactured in endless lengths without tensionmember-interruption. The tension member is spirally coiled. BRECOFLEX® TIMING BELTS are universal applicable for all tasks in the drive technology up to 10000 rpm.

Application areas

Endless timing belts for power transmissions


All drives designed for a high performance should preferably be produced as BRECOFLEX® TIMING BELTS with a full length steel cord tension member. They can be subjected to both permanent operation or for a start-brake characteristic. They operate in a rotational speed range of up to 10000 rpm.

Endless timing belts are available in preferred catalog lengths. Our production range also permits the supply of intermediate lengths up to a maximum endless length of 20000 mm. Please note the information marked with  on the product pages.

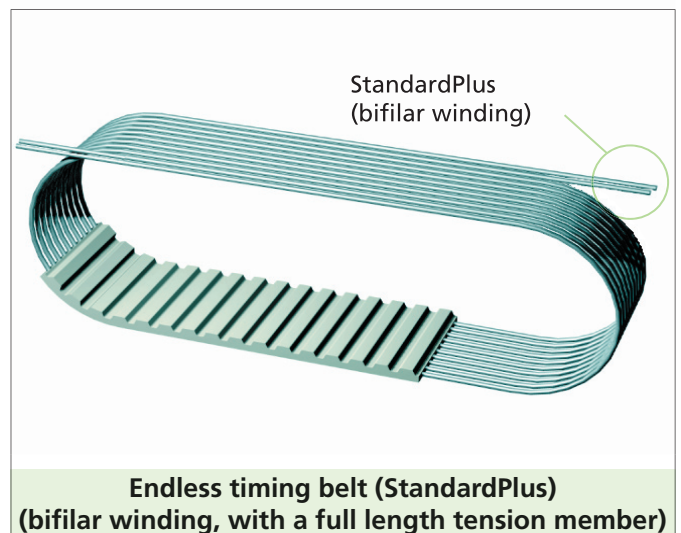
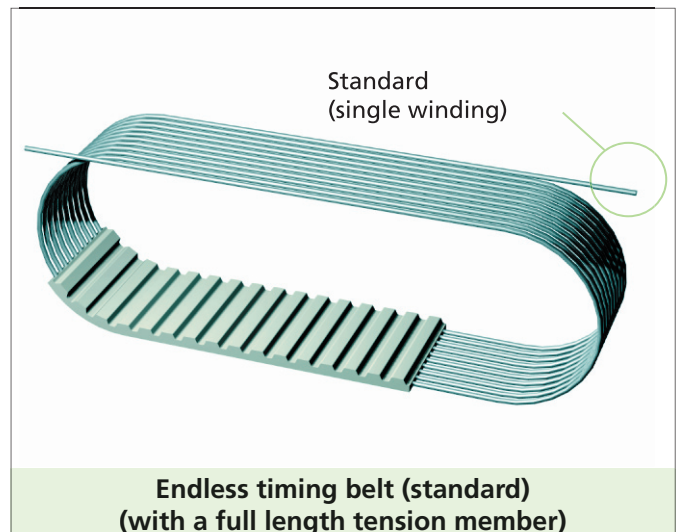
StandardPlus - BRECOFLEX®-TIMING BELTS with improved properties

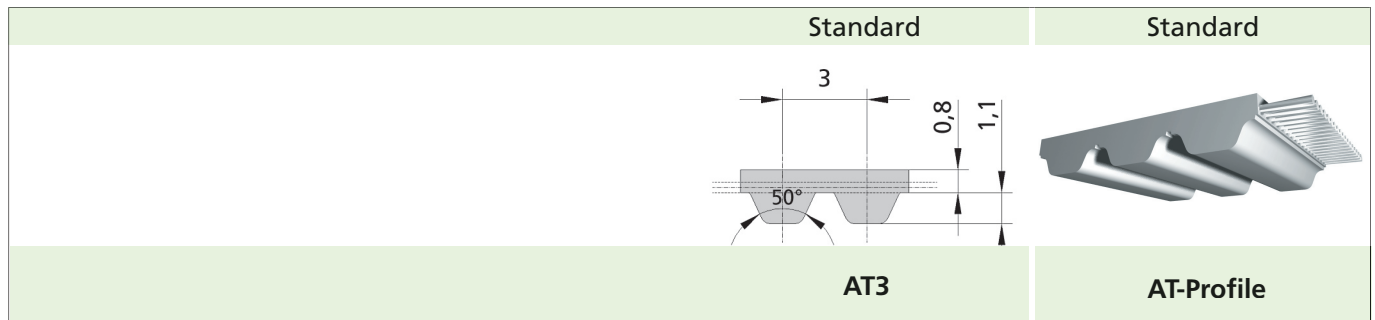
The new generation of BRECOFLEX® TIMING BELTS was special developed for high precision positioning applications. The use of the bifilar winding reduces the tendency of the belt to run off. The special way of winding prevents the formation of lateral forces resulting from the tensioned tension members inside the belt, which cause the timing belt to run off. In this manner, the friction forces in the drive are considerably reduced which leads to improve positioning properties.

Additional the new BRECOFLEX®-TIMING BELTS achieve a notably improved pitch stability. The deviation of the tooth spaces could be further minimized.

Which belt length in StandardPlus version are available, please note the information marked with  on the product pages.

With the new generation of BRECOFLEX®-TIMING BELTS, the user is offered standard products which unite outstanding properties, such as high power transmission, high rigidity, optimized running behaviour and high precision.

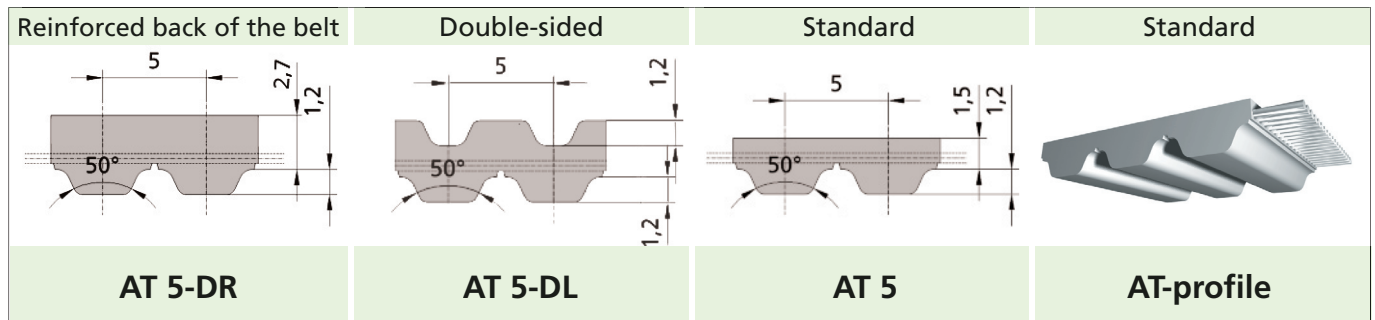




Available endless lengths and versions

- **AT 3:** Standard, single-sided
- **PAZ:** Nylon tooth facing
- over 720 mm any number of teeth available
- max. production length :1701 mm
- minimum purchase amount: 1 sleeve

Belt widths b [mm] (In-between belt widths on request):				
6	10	16	25	32



Endless lengths [mm] / Number of teeth					
length	Number of teeth	length	Number of teeth	length	Number of teeth
225	45	1005	201	3000	600
255	51	1020	204	3150	630
280	56	1075	215	3350	670
305	61	1100	220	3550	710
340	68	1215	243	3750	750
390	78	1380	276	4000	800
420	84	1400	280	4250	850
455	91	1500	300	4500	900
500	100	1600	320	4750	950
545	109	1700	340	5000	1000
610	122	1800	360	5300	1060
660	132	1900	380	5600	1120
720	144	2000	400	6000	1200
780	156	2120	424	6300	1260
840	168	2240	448	6700	1340
855	171	2360	472	7100	1420
875	175	2500	500	7500	1500
960	192	2650	530		
990	198	2800	560		

Belt widths b [mm] (In-between belt widths on request):						
10	16	25	32	50	75	100

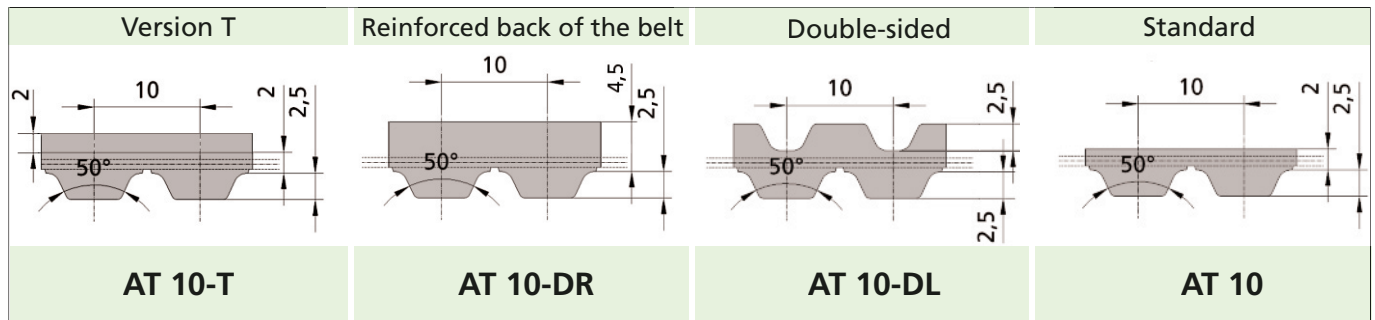
Available endless lengths

- Preferred lengths refer to table
- under 720 mm: further lengths upon request
- over 720 mm: Any number of teeth available, request minimum purchase amount for intermediate lengths.
- from 720 mm up to 12000 mm: StandardPlus
- over 15000 mm on request

Available versions:

- **AT 5:** As standard: single-sided with **E tension member**
- **DL:** As standard: double-sided over 900 mm, with E tension member, minimum amount on request, under 900 mm on request
- **PAZ:** Nylon tooth facing, with E tension member
- **DL-PAZ:** Nylon facing on double-sided belts, coating is only possible on the inner side, with E tension member, minimum amount on request
- **DR, DR-PAZ:** reinforced back of the belt, through 1.2 mm larger belt thickness, available with a length over 900 mm, with E tension member, minimum amount on request

i Timing belt lengths from 720 mm up to 12000 are manufactured in version **StandardPlus** (see page 3).



Endless lengths [mm] / Number of teeth					
length	Number of teeth	length	Number of teeth	length	Number of teeth
400	40	1010	101	3000	300
500	50	1080	108	3150	315
530	53	1150	115	3350	335
560	56	1210	121	3550	355
610	61	1240	124	3750	375
630	63	1250	125	4000	400
660	66	1320	132	4250	425
700	70	1400	140	4500	450
720	72	1500	150	4750	475
780	78	1600	160	5000	500
800	80	1700	170	5300	530
810	81	1800	180	5600	560
840	84	1900	190	6000	600
850	85	2000	200	6300	630
880	88	2120	212	6700	670
890	89	2240	224	7100	710
920	92	2360	236	7500	750
960	96	2500	250	8000	800
970	97	2650	265	9000	900
980	98	2800	280		

Belt widths b [mm] (In-between belt widths on request):					
25	32	50	75	100	150*

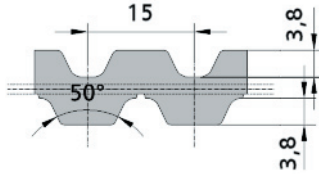
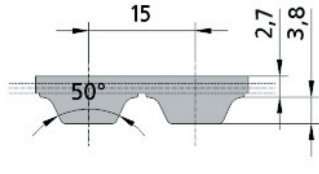

Available endless lengths

- Preferred lengths refer to table
- over 720 mm: Any number of teeth available, request minimum purchase amount for intermediate lengths.
- from 720 mm up to 12000 mm: StandardPlus
- over 20000 mm on request

Available versions:

- **AT 10:** Standard, single-sided
- **E:** with E tension member
- **DL:** Standard, double-sided, available over 1150 mm, available belt width up to $b_{max}=100$, Request minimum purchase amount
- **PAZ:** Nylon tooth facing
- **DL-PAZ:** Nylon on double-sided belts, only inner side can be coated, available belt width up to $b_{max}=100$, minimum amount on request
- **T, T-PAZ:** Transport support, available up to a belt width of $b_{max}=100$, Request minimum purchase amount
- **DR, DR-PAZ:** reinforced back of the belt, through 2.5 mm larger belt thickness, available length over 1080 mm, available belt width up to $b_{max}=100$, Request minimum purchase amount
- *) 150 mm belt width available from 1500 mm to 15000 mm

i Timing belt lengths from 720 mm up to 12000 mm are manufactured in version **StandardPlus** (see page 3).

Double-sided	Standard	Standard
		
ATS 15-DL	ATS 15	AT-Profile

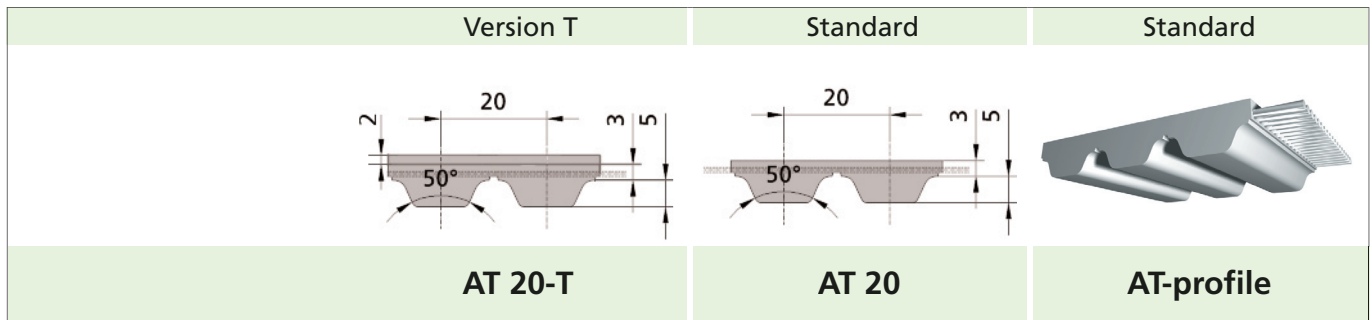
Belt widths b [mm] (In-between belt widths on request):				
25	32	50	75	100

i Timing belt lengths from 1500 mm up to 12000 mm are manufactured in version **StandardPlus** (see page 3).

Minimum purchase amount: 1 sleeve

BRECOFLEX®-TIMING BELT
Available lengths and versions

- over 1500 mm any number of teeth available
- **ATS 15:** standard, single-sided
- **PAZ:** Nylon tooth facing
- **DL, DL-PAZ:** double-sided, double-sided with nylon tooth facing (only inner side can be coated)
- over 19995 mm on request



Endless lengths [mm] / Number of teeth					
length	Number of teeth	length	Number of teeth	length	Number of teeth
1500	75	2800	140	5300	265
1600	80	3000	150	5600	280
1700	85	3160	158	6000	300
1800	90	3360	168	6300	315
1900	95	3560	178	6700	335
2000	100	3760	188	7100	355
2120	106	4000	200	7500	375
2240	112	4260	213	8000	400
2360	118	4500	225	8500	425
2500	125	4760	238	9000	450
2660	133	5000	250		

Belt widths b [mm] (In-between belt widths on request):				
32	50	75	100	150*

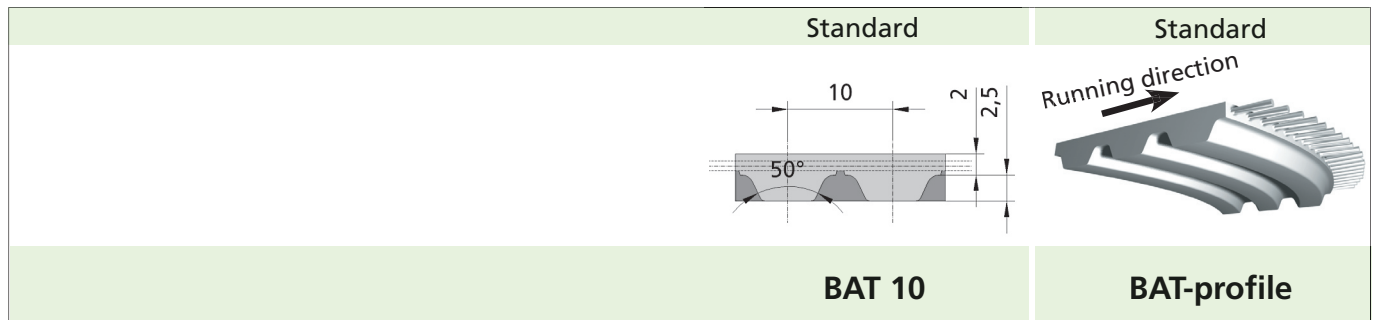
Available endless lengths

- Preferred lengths refer to table
- under 1500 mm: further lengths upon request.
- over 1500 mm: Any number of teeth available, request minimum purchase amount for intermediate lengths.
- from 1500 mm up to 12000 mm: StandardPlus
- *) 150 mm belt width available from 1500 mm to 15000 mm
- over 20000 mm: on request

Available versions:

- **AT 20:** Standard, single-sided
- **PAZ:** Nylon tooth facing
- **T, T-PAZ:** Transport support available belt width up to $b_{max} = 100$ mm, minimum purchase amount on request

i Timing belt lengths from 1500 mm up to 12000 mm are manufactured in version **StandardPlus** (see page 3).



Endless lengths [mm] / Number of teeth					
length	Number of teeth	length	Number of teeth	length	Number of teeth
1100	110	1700	170	4000	400
1150	115	1800	180	4500	450
1210	121	1900	190	5000	500
1240	124	2000	200	5600	560
1250	125	2240	224	6000	600
1320	132	2500	250	6700	670
1400	140	2800	280	7100	710
1500	150	3000	300	7500	750
1600	160	3550	355		

Belt widths b [mm]			
32	50	75	100

Available endless lengths

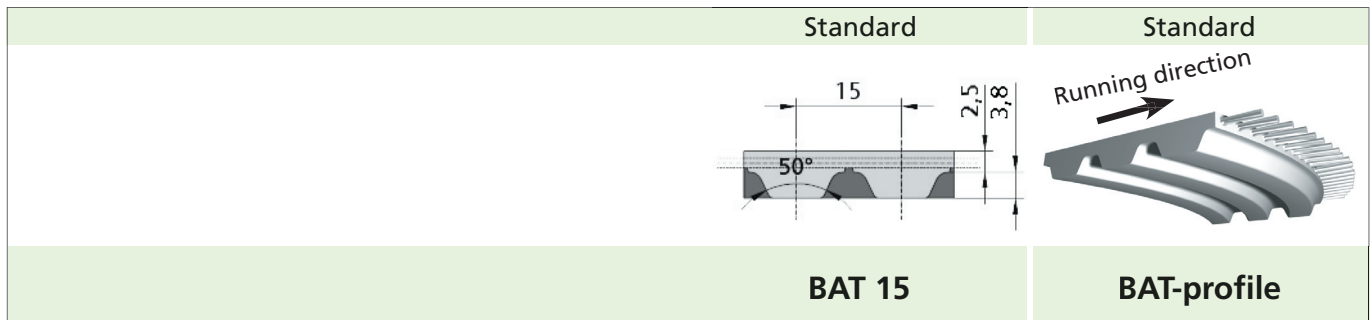
- Preferred lengths refer to table
- under 1100 mm: not available
- over 1100 mm: Any number of teeth available, for in-between lengths minimum purchase amount on request
- from 1100 mm up to 12000 mm: StandardPlus
- over 20000 mm on request

Available versions

- **BAT 10:** Standard
- **PAZ:** Nylon tooth facing

i Timing belt lengths from 1100 mm up to 12000 mm are manufactured in version **StandardPlus** (see page 3).

Please note, that the BAT timing belt has its self-guiding property only in the stated preferred running direction (see figure above).



Endless lengths [mm] / Number of teeth					
length	Number of teeth	length	Number of teeth	length	Number of teeth
1500	100	2790	186	5595	373
1590	106	3000	200	6000	400
1710	114	3495	233	6300	420
1800	120	3750	250	6705	447
1905	127	4005	267	7095	473
1995	133	4500	300	7500	500
2250	150	4995	333		
2505	167	5295	353		

Belt widths b [mm]		
50	75	100

Available endless lengths

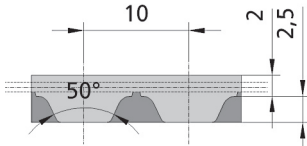

- Preferred lengths refer to table
- under 1500 mm: not available
- over 1500 mm: Any number of teeth available, for in-between lengths minimum purchase amount on request
- from 1500 mm up to 12000 mm: StandardPlus
- over 19995 mm on request

Available versions

- **BAT 15:** Standard
- **PAZ:** Nylon tooth facing

Please note, that the BAT timing belt has its self-guiding property only in the stated preferred running direction (see figure above).

i Timing belt lengths from 1500 mm up to 12000 mm are manufactured in version StandardPlus (see page 3).

Standard	Standard
	
BATK 10	BATK-profile

Endless lengths [mm] / Number of teeth					
length	Number of teeth	length	Number of teeth	length	Number of teeth
1100	110	1700	170	4000	400
1150	115	1800	180	4500	450
1210	121	1900	190	5000	500
1240	124	2000	200	5600	560
1250	125	2240	224	6000	600
1320	132	2500	250	6700	670
1400	140	2800	280	7100	710
1500	150	3000	300	7500	750
1600	160	3550	355		

Belt widths b [mm]			
32	50	75	100

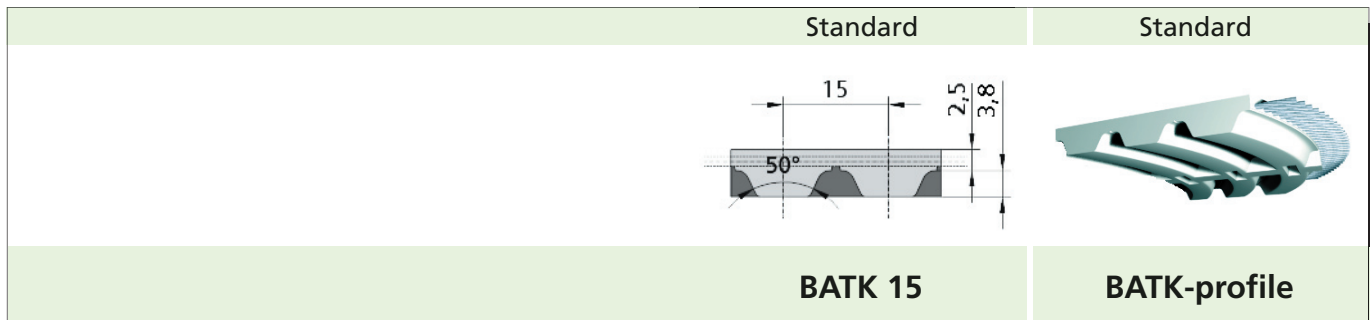
Available endless lengths

- Preferred lengths refer to table
- under 1100 mm: not available
- over 1100 mm: Any number of teeth available, request minimum purchase amount for intermediate lengths.
- from 1100 mm up to 12000 mm: StandardPlus
- over 20000 mm on request

Available versions

- **BATK 10:** Standard
- **PAZ:** Nylon tooth facing, Textile colour: white

i Timing belt lengths from 1100 mm up to 12000 mm are manufactured in version **StandardPlus** (see page 3).



Endless lengths [mm] / Number of teeth					
length	Number of teeth	length	Number of teeth	length	Number of teeth
1500	100	2790	186	5595	373
1590	106	3000	200	6000	400
1710	114	3495	233	6300	420
1800	120	3750	250	6705	447
1905	127	4005	267	7095	473
1995	133	4500	300	7500	500
2250	150	4995	333		
2505	167	5295	353		

Belt widths b [mm]		
50	75	100

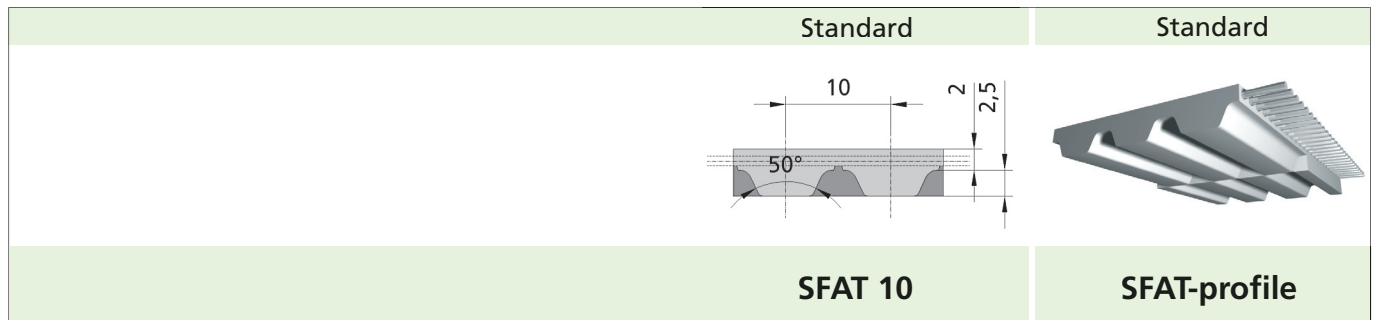
Available endless lengths

- Preferred lengths refer to table
- under 1500 mm: not available
- over 1500 mm: Any number of teeth available, for in-between lengths minimum purchase amount on request
- from 1500 mm up to 12000 mm: StandardPlus
- over 19995 mm on request

Available versions

- **BAT 15:** Standard
- **PAZ:** Nylon tooth facing, Textile colour: white

i Timing belt lengths from 1500 mm up to 12000 mm are manufactured in version **StandardPlus** (see page 3).



Endless lengths [mm] / Number of teeth					
length	Number of teeth	length	Number of teeth	length	Number of teeth
1100	110	1900	190	4500	450
1200	120	2000	200	5000	500
1300	130	2240	224	5600	560
1400	140	2500	250	6000	600
1500	150	2800	280	6700	670
1600	160	3000	300	7100	710
1700	170	3550	355	7500	750
1800	180	4000	400		

Belt widths b [mm]		
50	75	100

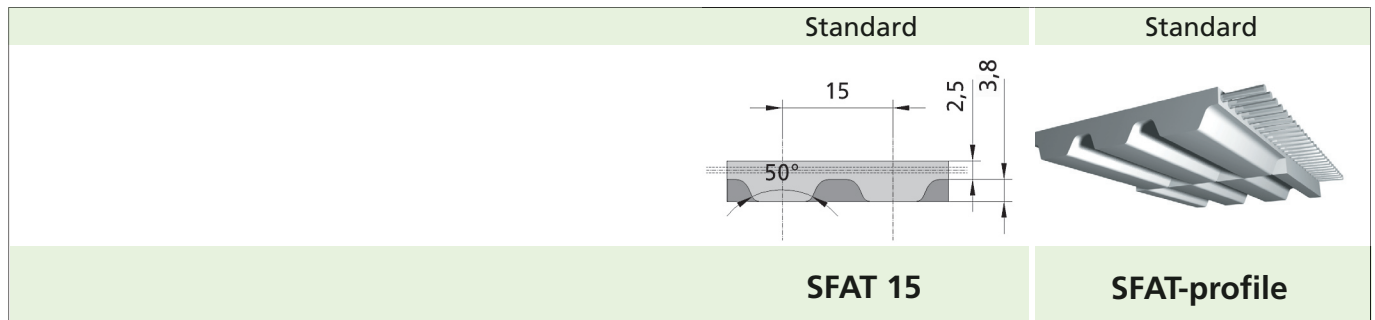
Available endless lengths

- Preferred lengths refer to table
- under 1100 mm: Not available
- over 1100 mm: Any number of teeth available, request minimum purchase amount for in-between lengths
- from 1100 mm up to 12000 mm: StandardPlus
- over 20000 mm on request

Available versions:

- SFAT 10:Standard
- PAZ: Nylon tooth facing

i Timing belt lengths from 1100 mm up to 12000 mm are manufactured in version StandardPlus (see page 3).



Endless lengths [mm] / Number of teeth					
length	Number of teeth	length	Number of teeth	length	Number of teeth
1500	100	2790	186	5595	373
1590	106	3000	200	6000	400
1710	114	3495	233	6300	420
1800	120	3750	250	6705	447
1905	127	4005	267	7095	473
1995	133	4500	300	7500	500
2250	150	4995	333		
2505	167	5295	353		

Belt widths b [mm]		
50	75	100

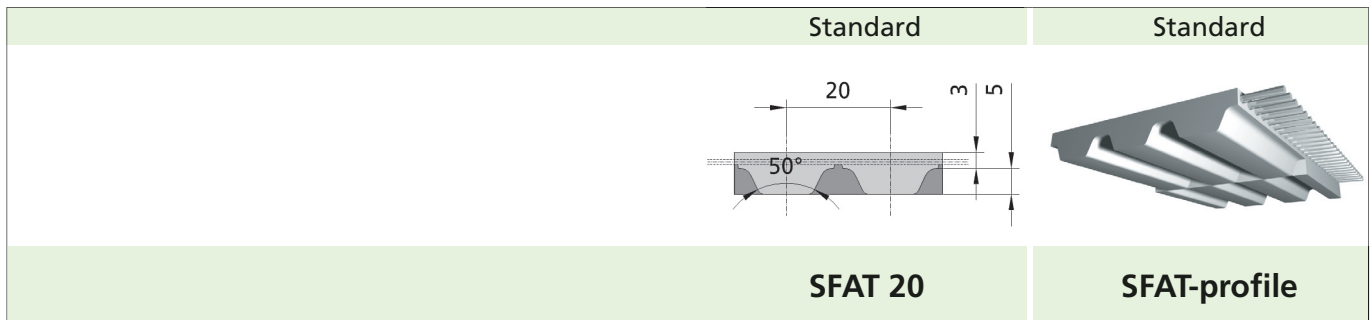
Available endless lengths

- Preferred lengths refer to table
- under 1500 mm: Not available
- over 1500 mm: Any number of teeth available, request minimum purchase amount for in-between lengths
- from 1500 mm up to 12000 mm: StandardPlus
- over 19995 mm on request

Available versions:

- SFAT 15:Standard
- PAZ: Nylon tooth facing

i Timing belt lengths from 1500 mm up to 12000 mm are manufactured in version StandardPlus (see page 3).



Endless lengths [mm] / Number of teeth					
length	Number of teeth	length	Number of teeth	length	Number of teeth
1500	75	2500	125	5000	250
1600	80	2800	140	5600	280
1700	85	3000	150	6000	300
1800	90	3560	178	6700	335
1900	95	3760	188	7100	355
2000	100	4000	200	7500	375
2240	112	4500	225		

Belt widths b [mm]		
50	75	100

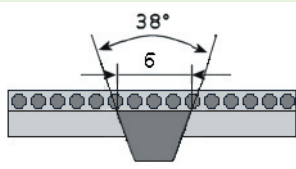
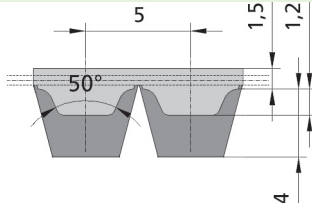
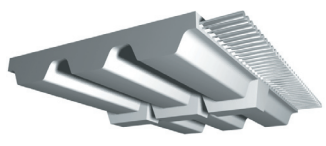
Available endless lengths

- Preferred lengths refer to table
- under 1500 mm: Not available
- over 1500 mm: Any number of teeth available, request minimum purchase amount for in-between lengths
- from 1500 mm up to 12000 mm: StandardPlus
- over 20000 mm on request

Available versions:

- SFAT 20: Standard
- PAZ: Nylon tooth facing

i Timing belt lengths over 1500 mm up to 12000 mm are manufactured in version **StandardPlus** (see page 3).

Cross section	Standard	Standard
		
K6	ATK 5 K6	Self-guiding timing belt

Endless lengths [mm] / Number of teeth					
length	Number of teeth	length	Number of teeth	length	Number of teeth
1075	215	2240	448	4500	900
1100	220	2360	472	4750	950
1215	243	2500	500	5000	1000
1380	276	2650	530	5300	1060
1400	280	2800	560	5600	1120
1500	300	3000	600	6000	1200
1600	320	3150	630	6300	1260
1700	340	3350	670	6700	1340
1800	360	3550	710	7100	1420
1900	380	3750	750	7500	1500
2000	400	4000	800		
2120	424	4250	850		

Belt widths b [mm] (In-between belt widths on request)	
50	100

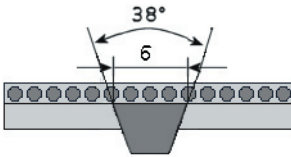
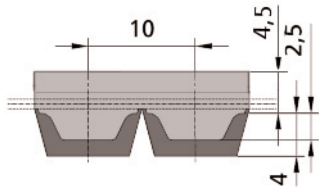
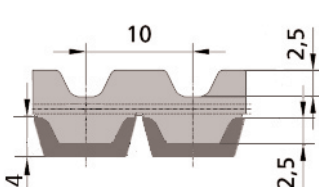
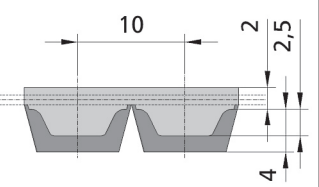
Available endless lengths

- Preferred lengths refer to table
- over 1075 mm: Any number of teeth available, request minimum purchase amount for in-between lengths.
- from 1075 mm up to 12000 mm: StandardPlus
- over 15000 mm on request

Available versions:

- **ATK 5 K6:** As standard: single-sided with E tension members
- **PAZ:** Nylon tooth facing

i Timing belt lengths from 1075 mm up to 12000 mm are manufactured in version **StandardPlus** (see page 3).

Cross section	Reinforced back of the belt	Double-sided	Standard
			
K6	ATK 10 K6-DR	ATK 10 K6-DL	ATK 10 K6

Endless lengths [mm] / Number of teeth					
length	Number of teeth	length	Number of teeth	length	Number of teeth
1500	150	2650	265	4750	475
1600	160	2800	280	5000	500
1700	170	3000	300	5300	530
1800	180	3150	315	5600	560
1900	190	3350	335	6000	600
2000	200	3550	355	6300	630
2120	212	3750	375	6700	670
2240	224	4000	400	7100	710
2360	236	4250	425	7500	750
2500	250	4500	450	8000	800

Belt widths b [mm] (In-between belt widths on request)	
50	100

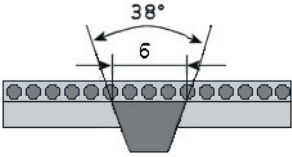
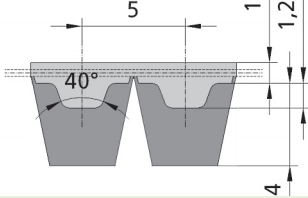
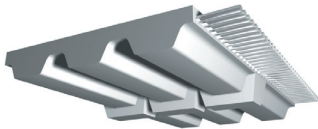
Available endless lengths

- Preferred lengths refer to table
- under 1080 mm: not available
- over 1080 mm: Any number of teeth available, request minimum purchase amount for in-between lengths
- over 1080 mm up to 12000 mm: StandardPlus
- over 20000 mm on request.

Available versions:

- **ATK 10 K6:** Standard, single-sided
- **DL:** Standard, double-sided, minimum purchase amount on request
- **PAZ:** Nylon tooth facing, under 1500 mm PAZ not available
- **DL-PAZ:** Double-sided self-tracking belt with nylon facing on the track-guided tooth side, minimum purchase amount on request
- **DR, DR-PAZ:** Reinforced back of the belt, through 2.5 mm larger belt thickness, minimum purchase amount on request

i Timing belt lengths from 1080 mm up to 12000 mm are manufactured in version **StandardPlus** (see page 3).

Cross section	Standard	Standard
		
K6	TK 5 K6	Self-guiding timing belt

Endless lengths [mm] / Number of teeth					
length	Number of teeth	length	Number of teeth	length	Number of teeth
1075	215	2240	448	4500	900
1100	220	2360	472	4750	950
1215	243	2500	500	5000	1000
1380	276	2650	530	5300	1060
1400	280	2800	560	5600	1120
1500	300	3000	600	6000	1200
1600	320	3150	630	6300	1260
1700	340	3350	670	6700	1340
1800	360	3550	710	7100	1420
1900	380	3750	750	7500	1500
2000	400	4000	800		
2120	424	4250	850		

Belt widths b [mm] (In-between belt widths on request)	
50	100

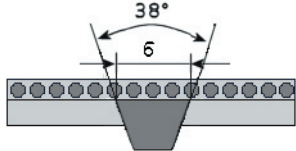
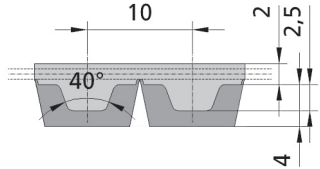
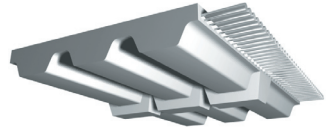
Available endless lengths

- Preferred lengths refer to table
- over 1075 mm: Any number of teeth available, request minimum purchase amount for in-between lengths.
- from 1075 mm up to 12000 mm: StandardPlus
- over 15000 mm on request

Available versions:

- **TK 5 K6:** Standard, single-sided
- **PAZ:** Nylon tooth facing

i Timing belt lengths from 1075 mm up to 12000 mm are manufactured in version **StandardPlus** (see page 3).

Cross section	Standard	Standard
		
K6	TK 10 K6	Self-guiding timing belt

Endless lengths [mm] / Number of teeth					
length	Number of teeth	length	Number of teeth	length	Number of teeth
1080	108	1750	175	4000	400
1150	115	1780	178	4250	425
1210	121	1880	188	4500	450
1240	124	1960	196	4750	475
1250	125	2250	225	5000	500
1320	132	2360	236	5300	530
1350	135	2500	250	5600	560
1390	139	2650	265	6000	600
1400	140	2800	280	6300	630
1420	142	3000	300	6700	670
1460	146	3100	310	7100	710
1500	150	3150	315	7500	750
1560	156	3350	335	8000	800
1610	161	3750	375	9000	900

Belt widths b [mm] (In-between belt widths on request)	
50	100

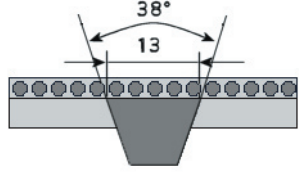
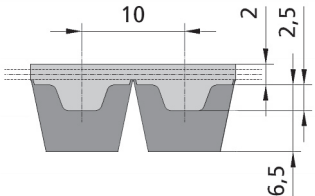
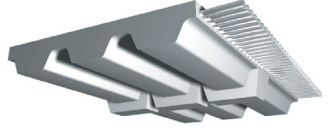
Available endless lengths

- Preferred lengths refer to table
- over 1080 mm: Any number of teeth available, request minimum purchase amount for in-between lengths.
- from 1080 mm up to 12000 mm: StandardPlus
- over 20000 mm on request

Available versions:

- **TK 10 K6:** Standard, single-sided
- **PAZ:** Nylon tooth facing

i Timing belt lengths from 1080 mm up to 12000 mm are manufactured in version StandardPlus (see page 3).

Cross section	Standard	Standard
		
K13	TK 10 K13	Self-guiding timing belt

Endless lengths [mm] / Number of teeth					
length	Number of teeth	length	Number of teeth	length	Number of teeth
1500	150	2650	265	5300	530
1560	156	3000	300	5600	560
1610	161	3100	310	6000	600
1750	175	3150	315	6300	630
1780	178	3350	335	6700	670
1880	188	3750	375	7100	710
1960	196	4000	400	7500	750
2250	225	4250	425	8000	800
2360	236	4500	450	9000	900
2500	250	4750	475		
2800	280	5000	500		

Belt width b [mm] (More belt widths on request)
50

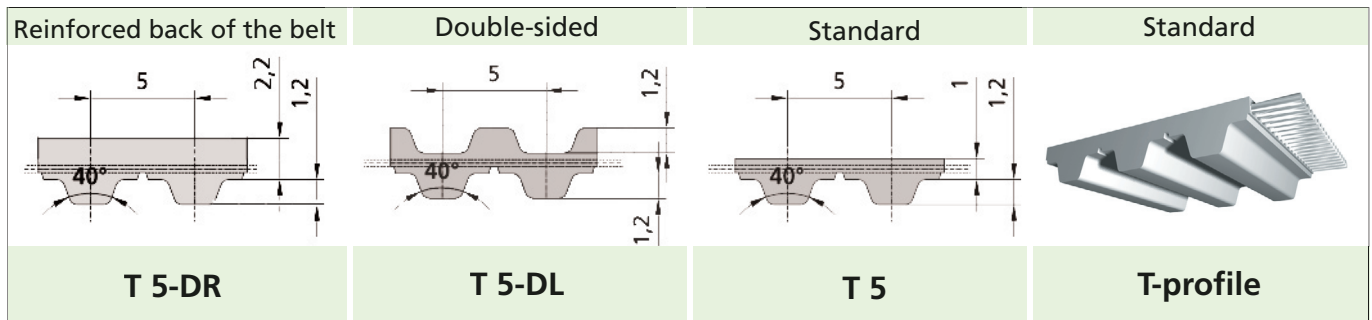
Available endless lengths

- Preferred lengths refer to table
- over 1200 mm: Any number of teeth available, request minimum purchase amount for in-between lengths.
- from 1200 mm over 12000 mm: StandardPlus
- over 20000 mm on request

Available versions:

- **TK 10 K13:** Standard, single-sided
- **PAZ:** Nylon tooth facing

i Timing belt lengths from 1200 mm up to 12000 mm are manufactured in version StandardPlus (see page 3).



Endless lengths [mm] / Number of teeth					
length	Number of teeth	length	Number of teeth	length	Number of teeth
200	40	560	112	1800	360
215	43	575	115	1900	380
220	44	610	122	2000	400
225	45	620	124	2120	424
240	48	630	126	2240	448
245	49	660	132	2360	472
255	51	690	138	2500	500
260	52	720	144	2650	530
270	54	750	150	2800	560
280	56	755	151	3000	600
295	59	780	156	3150	630
305	61	800	160	3350	670
330	66	815	163	3550	710
340	68	840	168	3750	750
355	71	850	170	4000	800
365	73	860	172	4250	850
370	74	900	180	4500	900
390	78	945	189	4750	950
400	80	990	198	5000	1000
410	82	1040	208	5300	1060
420	84	1075	215	5600	1120
435	87	1100	220	6000	1200
455	91	1215	243	6300	1260
480	96	1380	276	6700	1340
500	100	1400	280	7100	1420
510	102	1500	300	7500	1500
525	105	1600	320		
545	109	1700	340		

Belt widths b [mm] (In-between belt widths on request)						
10	16	25	32	50	75	100

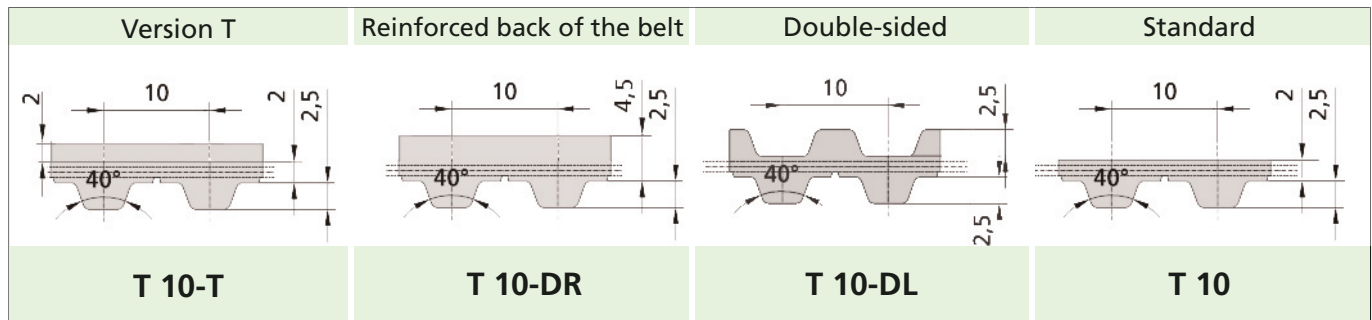
Available endless lengths

- Preferred lengths refer to table
- under 720 mm: Further lengths on request
- over 720 mm: Any number of teeth available, request minimum purchase amount for in-between lengths
- from 720 mm up to 12000 mm: StandardPlus
- over 15000 mm on request

Available versions:

- **T 5:** Standard, single-sided
- **E:** with E tension member
- **DL:** Standard, double-sided, available length: over 900 mm. Lengths over 2650 mm, request minimum purchase amount, under 900 mm upon request.
- **PAZ:** Nylon tooth facing
- **DL-PAZ:** Nylon facing on double-sided belts, coating is only possible on the inner side. Request minimum purchase amount for lengths over 2650 mm
- **DR, DR-PAZ:** Reinforced back of the belt, through 1.2 mm larger belt thickness, available in lengths over 900 mm, minimum purchase amount on request

i Timing belt lengths from 720 mm up to 12000 mm are manufactured in version **StandardPlus** (see page 3).



Endless lengths [mm] / Number of teeth					
length	Number of teeth	length	Number of teeth	length	Number of teeth
500	50	1080	108	2650	265
530	53	1150	115	2800	280
560	56	1210	121	3000	300
600	60	1240	124	3100	310
610	61	1250	125	3150	315
630	63	1320	132	3350	335
660	66	1350	135	3750	375
690	69	1390	139	4000	400
700	70	1400	140	4250	425
720	72	1420	142	4500	450
780	78	1460	146	4750	475
810	81	1500	150	5000	500
840	84	1560	156	5300	530
880	88	1610	161	5600	560
890	89	1750	175	6000	600
920	92	1780	178	6300	630
960	96	1880	188	6700	670
970	97	1960	196	7100	710
980	98	2250	225	7500	750
990	99	2360	236	8000	800
1010	101	2500	250	9000	900

Belt width b [mm] (More belt widths on request)					
16	25	32	50	75	100

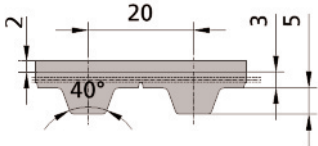
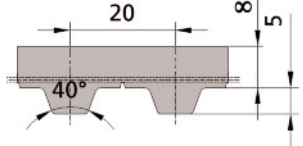
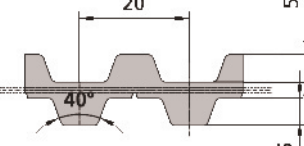
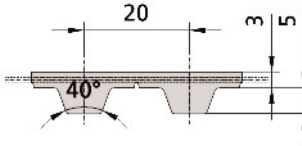
Available endless lengths

- Preferred lengths refer to table
- under 720 mm: Further lengths on request
- over 720 mm: Any number of teeth available, request minimum purchase amount for in-between lengths
- from 720 mm up to 12000 mm: StandardPlus
- over 20000 mm: on request

Available versions:

- **T 10:** Standard, single-sided
- **E:** with E tension member
- **DL, DL-E:** Standard, double-sided, available length over 900 mm, for length over 5300 mm request minimum purchase amount
- **PAZ:** Nylon tooth facing
- **DL-PAZ:** Nylon on double-sided belts, only inner side can be coated, available length over 900 mm, for length over 5300 mm request minimum purchase amount
- **T, T-PAZ:** Transport support, available length over 1080 mm, minimum purchase amount on request
- **DR, DR-PAZ:** Reinforced back of the belt, through 2.5 mm larger belt thickness, available length over 900 mm minimum purchase amount on request

i Timing belt lengths from 720 mm up to 12000 mm are manufactured in version **StandardPlus** (see page 3).

Version T	Reinforced back of the belt	Double-sided	Standard
			
T 20-T	T 20-DR	T 20-DL	T 20

Endless lengths [mm] / Number of teeth					
length	Number of teeth	length	Number of teeth	length	Number of teeth
1500	75	2800	140	5300	265
1600	80	3000	150	5600	280
1700	85	3160	158	6000	300
1800	90	3360	168	6300	315
1900	95	3560	178	6700	335
2000	100	3760	188	7100	355
2120	106	4000	200	7500	375
2240	12	4260	213	8000	400
2360	118	4500	225	8500	425
2500	125	4760	238	9000	450
2660	133	5000	250		

Belt widths b [mm] (In-between belt widths on request)				
32	50	75	100	150

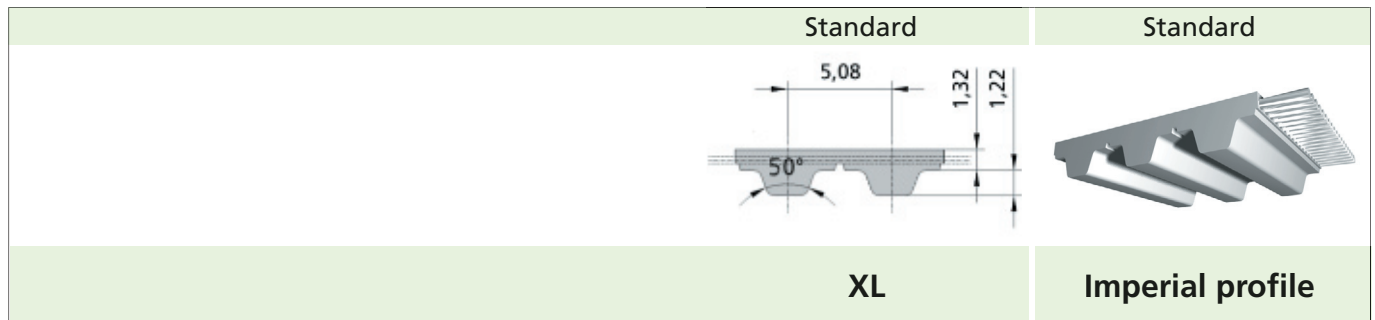
Available endless lengths

- Preferred lengths refer to table
- under 1500 mm: Further lengths on request
- over 1500 mm: Any number of teeth available, request minimum purchase amount for in-between lengths
- from 1500 mm up to 12000 mm: StandardPlus
- over 20000 mm: on request
- *) 150 mm belt width available from 1500 mm to 15000 mm

Available versions:

- **T 20:** Standard, single-sided
- **DL:** Standard, double-sided, available belt width up to $b_{max}=100$ mm, minimum purchase amount for length over 5300 mm on request
- **PAZ:** Nylon tooth facing
- **DL-PAZ:** Nylon on double-sided belts, only inner side can be coated available belt width up to $b_{max}=100$ mm, minimum purchase amount for length over 3760 mm on request
- **T, T-PAZ:** Transport support, available belt width up to $b_{max}=100$ mm, minimum purchase amount on request
- **DR, DR-PAZ:** Reinforced back of the belt, through 5 mm larger belt thickness, available belt width up to $b_{max}=100$ mm, minimum purchase amount on request

i Timing belt lengths from 1500 mm up to 12000 mm are manufactured in version **StandardPlus** (see page 3).



Length code / Endless lengths [mm] / Number of teeth					
length code	length [mm]	Number of teeth	length code	length [mm]	Number of teeth
60	152,40	30	170	431,80	85
70	177,80	35	180	457,20	90
80	203,20	40	190	482,60	95
90	228,60	45	200	508,00	100
100	254,00	50	210	533,40	105
110	279,40	55	220	558,80	110
120	304,80	60	230	584,20	115
130	330,20	65	240	609,60	120
140	355,60	70	250	635,00	125
150	381,00	75	260	660,40	130
160	406,40	80			

Belt widths b [mm] (In-between belt widths on request)					
6,35	7,94	9,53	12,7	19,1	25,4
Imperial code					
025	031	037	050	075	100

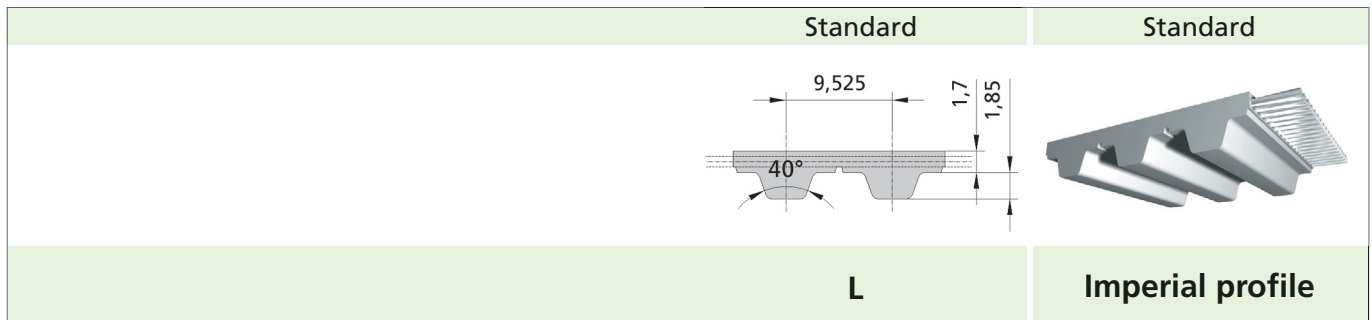
1/5" = 5,08 mm

Available endless lengths

- Preferred lengths refer to table
- Further lengths on request.

Available versions:

- XL: Standard, single-sided



Length code / Endless lengths [mm] / Number of teeth					
length code	length [mm]	Number of teeth	length code	length [mm]	Number of teeth
124	314,33	33	367	933,45	98
150	381,00	40	390	990,60	104
187	476,25	50	420	1066,80	112
202	514,35	54	450	1143,00	120
210	533,40	56	480	1219,20	128
225	571,50	60	540	1371,60	144
240	609,60	64	570	1447,80	152
255	647,70	68	600	1524,00	160
270	685,80	72	630	1600,20	168
285	723,90	76	660	1676,40	176
300	762,00	80	705	1790,70	188
322	819,15	86	750	1905,00	200
345	876,30	92			

Belt widths b [mm] (In-between belt widths on request)					
9,53	12,7	19,1	25,4	50,8	101,6
Imperial code					
037	050	075	100	200	400

3/8" = 9,525 mm

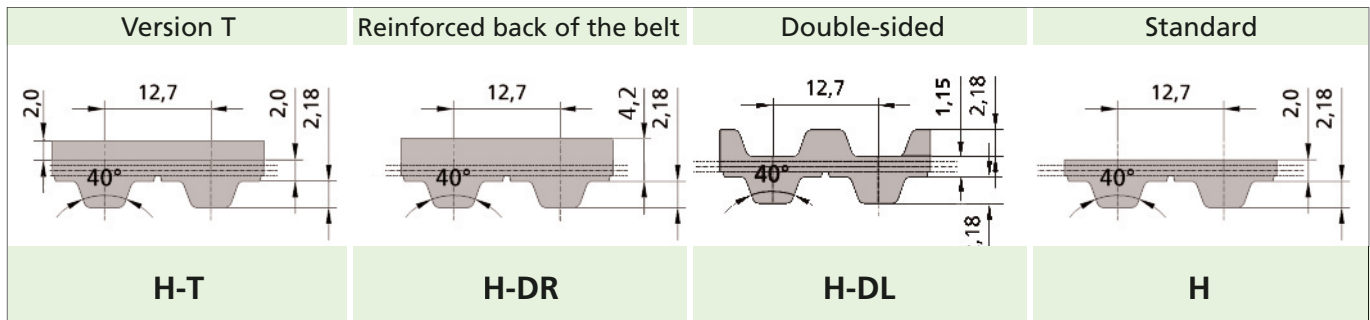
Available endless lengths

- Preferred lengths refer to table
- under 723,9 mm: further lengths upon request.
- over 723,9 mm: Any number of teeth available, request minimum purchase amount for in-between lengths
- from 723,9 mm up to 12001,5: StandardPlus
- over 14992,35 mm on request

Available versions:

- L: Standard, single-sided
- PAZ: Nylon tooth facing

i Timing belt lengths from 723,9 mm up to 12001,5 mm are manufactured in version **StandardPlus** (see page 3).



Length code / Endless lengths [mm] / Number of teeth					
length code	length [mm]	Number of teeth	length code	length [mm]	Number of teeth
420	1066,80	84	850	2159,00	170
450	1143,00	90	900	2286,00	180
480	1219,20	96	1000	2540,00	200
510	1295,40	102	1100	2794,00	220
540	1371,60	108	1250	3175,00	250
570	1447,80	114	1400	3556,00	280
600	1524,00	120	1700	4318,00	340
630	1600,20	126	2000	5080,00	400
660	1676,40	132	2300	5842,00	460
700	1778,00	140	2600	6604,00	520
750	1905,00	150	3000	7620,00	600
800	2032,00	160			

Belt widths b [mm] (In-between belt widths on request)						
12,7	19,1	25,4	38,1	50,8	76,2	101,6
Imperial code						
050	075	100	150	200	300	400

1/2" = 12,7 mm

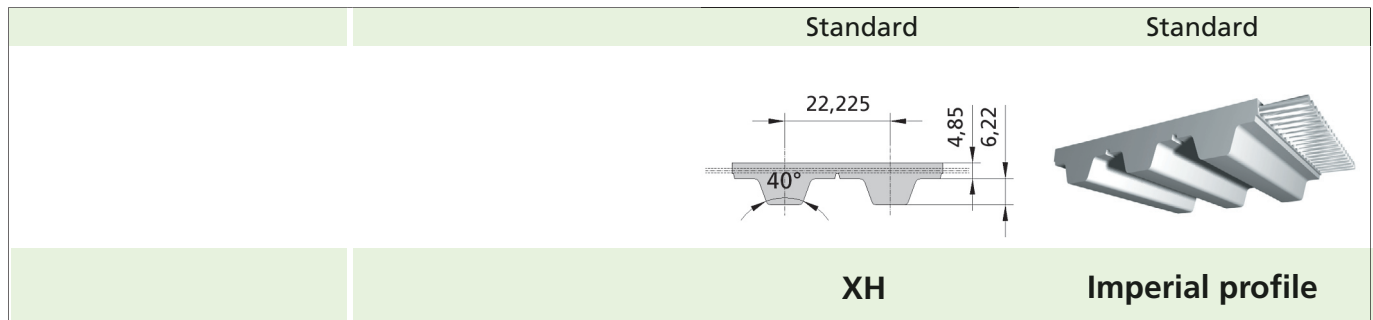
Available endless lengths

- Preferred lengths refer to table
- under 1066,8 mm: Further lengths on request
- over 1066,8 mm: Any number of teeth available, request minimum purchase amount for in-between lengths
- over 1066,8 mm: StandardPlus
- over 16002.0 mm: On request

Available versions:

- **H:** Standard, single-sided
- **DL:** Standard, double-sided, available over 1066.8 mm, for length over 1250 H request for minimum purchase amount
- **PAZ:** Nylon tooth facing
- **DL-PAZ:** Nylon facing on double-sided belts, only inner side can be coated, for length over 1250 H request for minimum purchase amount
- **T, T-PAZ:** Transport support, minimum purchase amount on request
- **DR, DR-PAZ:** Reinforced back of the belt, through 2.18 mm larger belt thickness, available in lengths over 1066.8 mm, minimum purchase amount on request

i Timing belt lengths from 1066,8 mm up to 12001,5 mm are manufactured in version **StandardPlus** (see page 2).



Length code / Endless lengths [mm] / Number of teeth					
length code	length [mm]	Number of teeth	length code	length [mm]	Number of teeth
560	1422,40	64	1400	3556,00	160
630	1600,20	72	1540	3911,60	176
700	1778,00	80	1750	4445,00	200
770	1955,80	88	1960	4978,40	224
840	2133,60	96	2275	5778,50	260
980	2489,20	112	2450	6223,00	280
1120	2844,80	128	3500	8890,00	400
1260	3200,40	144			

i Timing belt lengths from 1422,43 mm up to 12001,5 mm are manufactured in version **StandardPlus** (see page 3).

Belt widths b [mm] (In-between belt widths on request)		
50,8	76,2	101,6
Imperial code		
200	300	400

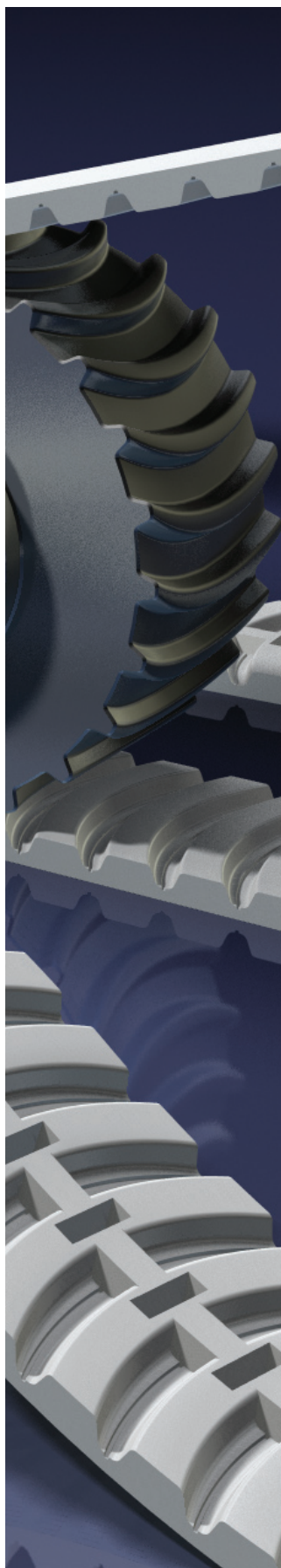
7/8" = 22,225 mm

Available endless lengths

- Preferred lengths refer to table
- under 1422.4 mm: Further lengths on request
- over 1422,4 mm: Any number of teeth available, request minimum purchase amount for in-between lengths
- from 1422,4 mm up to 12001,5 mm: StandardPlus
- over 16002,00 mm On request

Available versions:

- **XH:** Standard, single-sided
- **PAZ:** Nylon tooth facing



Our distribution partner

Germany

Anton Klocke Antriebstechnik GmbH & Co. KG

Senner Straße 151
D-33659 Bielefeld
Phone: +49 521 95005-01
Fax: +49 521 95005-11
www.klocke-antrieb.de
info@klocke-antrieb.de

Hilger und Kern GmbH Industrietechnik

Käfertaler Straße 253
D-68167 Mannheim
Phone: +49 621 3705-0
Fax: +49 621 3705-403
www.hilger-kern.com
antriebstechnik@hilger-kern.com

Reiff -Technische Produkte- GmbH

Tübinger Straße 2-6
D-72762 Reutlingen
Phone: +49 7121 323-313
Fax: +49 7121 323-318
www.reiff-tp.de
zahnriemen@reiff-tp.de

Roth GmbH & Co. KG

Andernacher Straße 14
D-90411 Nürnberg
Phone: +49 911 99521-0
Fax: +49 911 99521-70
www.roth-ing.de
roth-info@roth-ing.de

Walter Rothermundt GmbH & Co. KG

Am Tannenbaum 2
D-41066 Mönchengladbach
Phone: +49 2161 69462-0
Fax: +49 2161 6644-69
www.rothermundt.de
info@rothermundt.de

Wilhelm Herm. Müller GmbH & Co. KG

Heinrich-Nordhoff-Ring 14
D-30826 Garbsen
Phone: +49 5131 4522-0
Fax: +49 5131 4522-110
www.whm.net
info@whm.net

Switzerland

Angst + Pfister AG

Thurgauerstraße 66
CH-8052 Zürich
Phone: +41 (0) 1 306 61 11
Fax: +41 (0) 1 302 18 71
www.angst-pfister.com
ch@angst-pfister.com

Netherlands

Angst+Pfister B.V.

Boerhaavelaan 19
NL-2713 HA Zoetemeer
Phone: +31 7932037 00
Fax: +31 7932037 99
www.angst-pfister.com
nl@angst-pfister.com

Belgium

Angst+Pfister N.V.S.A.

Kleine Laan 26 c
B-9100 Sint-Niklas
Phone: +32 37780128
Fax: +32 37778398
www.angst-pfister.com
be@angst-pfister.com

Italy

Angst+Pfister SpA

Via Montefeltro 4
I-20156 Milano
Phone: +39 2 30087 1
Fax: +39 2 30087 100
www.angst-pfister.com
it@angst-pfister.com

Schweden

Aratron AB

Box 20087
S-16102 Bromma
Phone: +46 84041 600
Fax: +46 89842 81
www.aratron.se
info@aratron.se

Norway

ARATRON AS

Postboks 214 Holmlia
N-1204 Oslo
Phone: +47 231916 60
Fax: +47 231916 61
www.aratron.no
firmapost@aratron.no

France

Binder Magnetic

1, Allee des Barbannières
F-92632 Gennevilliers-Cedex
Phone: +33 146 13 80 80
Fax: +33 146 13 80 99
www.binder-magnetic.fr
info@binder-magnetic.fr

Denmark

BONDY A/S

Hassellunden 14
DK-2765 Smørum
Phone: +45 70 15 14 14
Fax: +45 44 64 14 16
www.bondy.dk
info@bondy.dk

Spain

Dinámica Distribuciones S.A.

Ctra. No. II, km 592,6
E-08740 S. Andreu de la Barca
Phone: +34 93 6 53 35 00
Fax: +34 93 6 53 35 08
www.dinamica.net
dinamica@dinamica.net

Austria

Haberkorn Ulmer GmbH

Modecenterstraße 7
A-1030 Wien
Phone: +43 17 43 10 30-0
Fax: +43 17 43 10 29
www.haberkorn.com
zr@haberkorn.com

Portugal

J. Baptista + Ca. Lda.

Rua dos Vanzeleres 337
P-4100-484 Porto
Phone: +351-2-606-1600
Fax: +351-2-609-2053
www.jbaptista.pt
jbaptista@jbaptista.pt

Finland

Movetec Oy

Hannuksentie 1
FIN-02270 Espoo
Phone: +35 8 9 5259 230
Fax: +35 8 9 5259 2333
www.movetec.fi
info@movetec.fi

Great Britain

Transmission Developments Co. (G.B.) LTD

Dawkins Road, Hamworthy
GB-Poole Dorset BH15 4HF
Phone: +44 1 20 2 67 55 55
Fax: +44 1 20 2 67 74 66
www.transdev.co.uk
sales@transdev.co.uk

Czech Republic

W. H. Müller s.r.o.

Pražákova 39
CZ-61900 Brno
Phone: +420 543 211 008
Fax: +420 543 217 468
www.whm.cz
whm@whm.cz

Poland

Wilhelm Herm. Müller

Polska Sp. z o.o.
ul. Solna 20
PL-85-862 Bydgoszcz
Phone: +48 52 349 07 15
Fax: +48 52 349 00 75
www.whm.pl
whm@whm.pl

USA

BRECOflex Co., L.L.C.

222 Industrial Way West
USA-Eatontown, NJ 07724
Phone: +1 732 460-9500
Fax: +1 732 542-6725
www.brecoflex.com
info@brecoflex.com